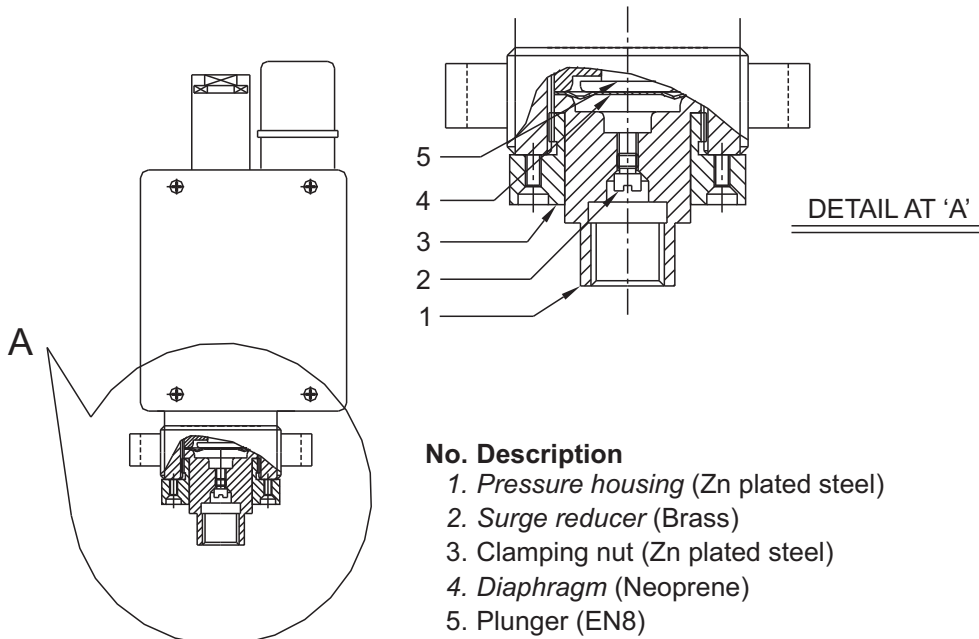


# DT HIGH RANGE PRESSURE SWITCHES



## PRESSURE CAPSULE DETAILS

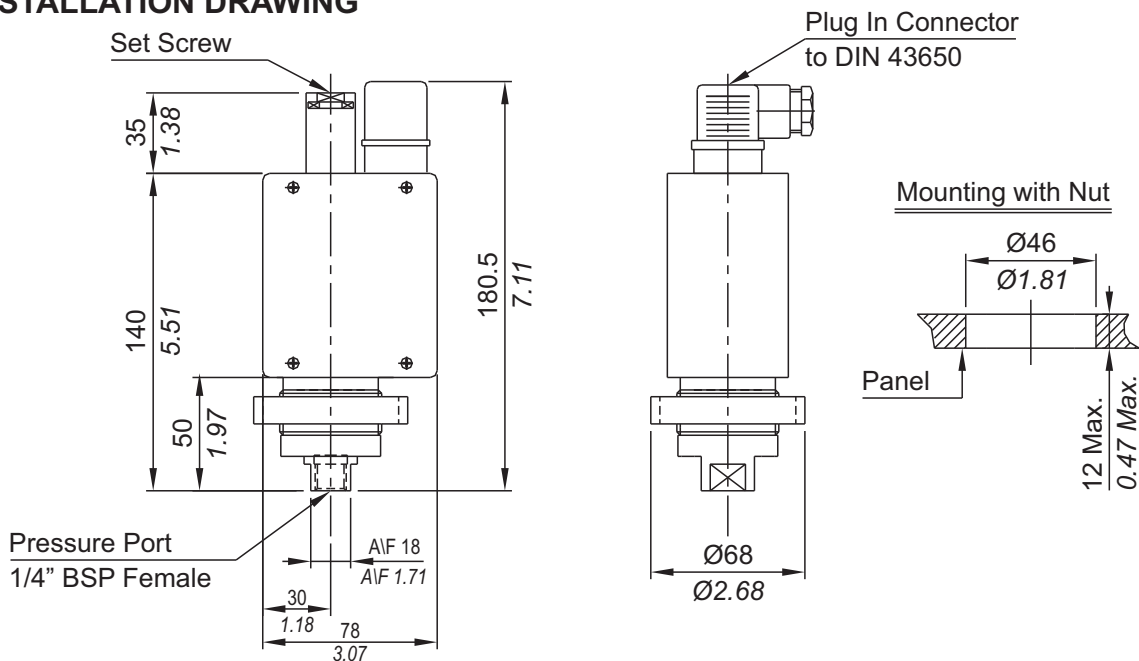


### No. Description

1. Pressure housing (Zn plated steel)
2. Surge reducer (Brass)
3. Clamping nut (Zn plated steel)
4. Diaphragm (Neoprene)
5. Plunger (EN8)

Note : *wetted parts* are mentioned in italics.

## INSTALLATION DRAWING



APPROX. DIMENSIONS IN  $\frac{\text{mm}}{\text{inches}}$

# HIGH RANGE PRESSURE SWITCHES

# DT

## General information:

DT series pressure switches have a cast aluminium enclosure (IP54) and are recommended for panel / line mounted hydraulic / pneumatic applications. The repeat accuracy is better than  $\pm 2\%$  FSR. An electrical connector to DIN 43650 is provided for wiring. Pressure port is  $\frac{1}{4}$ " BSPF standard.

## Features:

- Robust construction
- 15 A switching possible (optional)
- Panel mounting
- Protective lock to avoid tampering (optional)
- Electrical rating : 5A,250VAC;0.2A,250VDC(RES.) (optionally 15 A, 250 VAC)

**Some Applications :** Used in high pressure power packs, press application, space and defence, etc.

## Range Selection Table

Range Code	Range (rising pressure) bar (psi)	*Approximate Maximum Differential bar (psi)	Maximum Working Pressure bar (psi)
10	1 - 10 (14.50 - 145.04)	1 (14.50)	15 (217.71)
15	2 - 15 (29.00 - 217.71)	2 (29.00)	15 (217.71)

\*differential rises with setpoint (Graphs available on request)

## How to order DT high range pressure switches.

Group 1	Group 2	Group 3	Group 4	Group 5	Group 6
Model	Range Code	Microswitch	Wetted Parts	Protective Lock	
DT - High Range Pressure Switch	Please select as per range code table	C - rated at 5A, 250 VAC (res.) H - rated at 15A, 250 VAC (res.)	S - Standard	U - without any lock P - with a protective lock	Reserved for non standard modifications. Code will be given by company

eg. A hydraulic pressure switch, pressure range from 1 to 10 bar, with a standard 5 A,250 VAC microswitch, standard wetted parts and a protective lock shall be specified by

Group 1	Group 2	Group 3	Group 4	Group 5	Group 6
DT	10	C	S	P	-

Please specify full model number to avoid ambiguity. If only the first two groups are specified while ordering, pressure switches without a protective lock & with standard wetted parts will be supplied.